

SPECIFICATIONS

NAME: KING FAUCET

MODEL: VB-1004

DESCRIPTION:

- Brass Construction
- Finishes Available: Chrome, Satin Nickel, Matte Black
- Flexible Hot/Cold Water Lines w/ 3/8" compression fittings.
- Pulldown Sprayer
- Faucet Weight: 5.1 Lbs

FEATURES:

- Single Lever Operating Handle
- 120° Arc For Temperature Control
- 360° Faucet Head Alignment
- Tall Spout Provides Clearance for Cleaning Large Items.
- Pulldown Wand Provides Flexibility During The Cleaning Process
- Max. Operating Temperature: 140° F (60° C)



FLOW RATE:

- 1.8 gpm Max Flow Rate. Faucet Flow Rate Is Adjustable To Meet Project Flow Regulations.

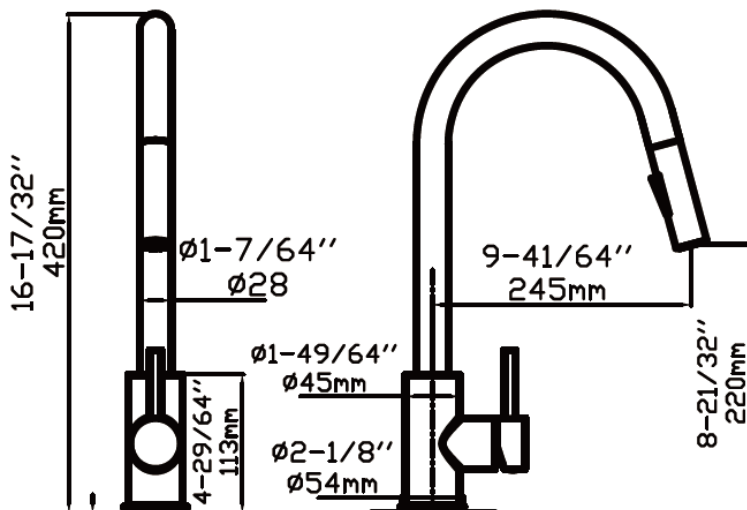
STANDARDS:

- CUPC Certified

WARRANTY:

- One Year Limited Warranty, Which Starts At The Point of Delivery

PRODUCT DIMENSIONS:



NOTE: Faucet Is Designed To Be Installed Through 1" Hole (1-1/2" Max. Diameter)

corporate h.q.
921 aurora ave. n.
seattle
washington
usa 98109

the shop
1332 n 131st st.
seattle
washington
usa 98133

the plant
no. 3 jinsha rd.
chenyang town
zhangjiagang
china 215637

info@lotusfixture.com