

SPECIFICATIONS

NAME: STEWART FAUCET

MODEL: VA-1010

DESCRIPTION:

- Brass Construction
- Finishes Available: Chrome, Satin Nickel, ORB, Matte Black
- Flexible Hot/Cold Water Lines w/ 3/8" compression fittings.
- Faucet Weight: 3.1 Lbs

FEATURES:

- Single Lever Operating Handle
- 90° Arc For Temperature Control
- 360° Faucet Head Alignment
- Tall Spout Provides Clearance for Cleaning Large Items
- Pullout Sprayer Not Included
- Max. Operating Temperature: 140° F (60° C)



FLOW RATE:

- 1.5 gpm Max Flow Rate. Faucet Flow Rate Is Adjustable To Meet Project Flow Regulations.

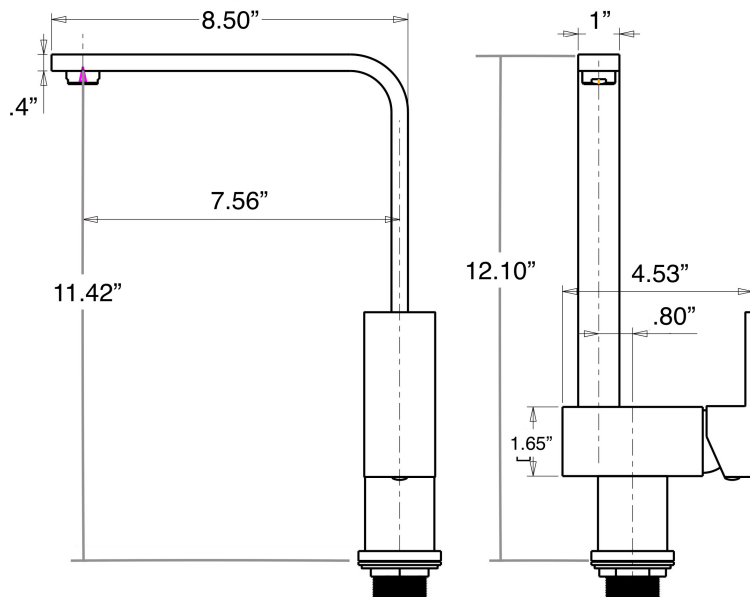
STANDARDS:

- CUPC/EC Certified

WARRANTY:

- One Year Limited Warranty, Which Starts At The Point of Delivery

PRODUCT DIMENSIONS:



NOTE: Faucet Is Designed To Be Installed Through A 1" Hole (1-1/2" Max. Diameter)