

SPECIFICATIONS**NAME:** PACIFIC RAIN SHOWER**MODEL:** VA-3001**DESCRIPTION:**

- Includes Rainshower Head, Arm, Flange w/ Mixer
- Brass & ABS Construction
- Finishes Available: Chrome
- Weight: 4.0 Lbs

FEATURES:

- Wall Mounted
- Single Lever Operating Handle
- 120° Arc For Temperature Control
- Max. Operating Temperature: 140° F (60° C)

FLOW RATE:

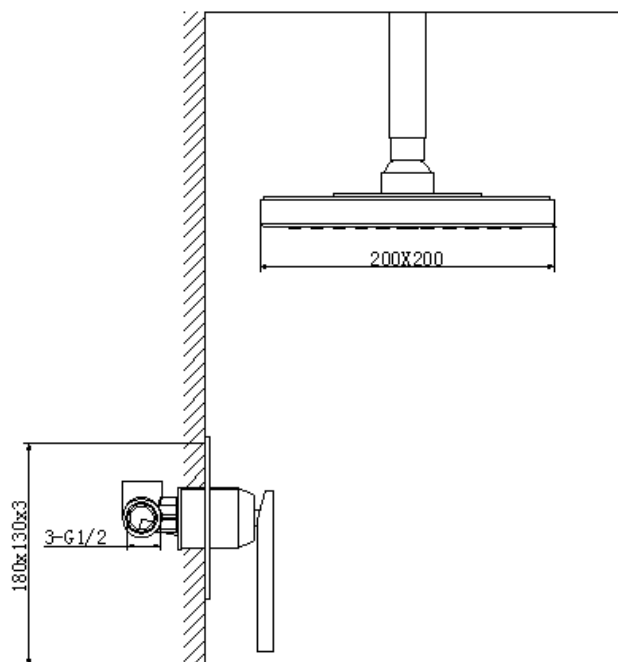
- 2.0 gpm Max Flow Rate. Flow Rate Is Adjustable To Meet Project Flow Regulations.

STANDARDS:

- CUPC Certified

WARRANTY:

- One Year Limited Warranty, Which Starts At The Point of Delivery

PRODUCT DIMENSIONS:**corporate h.q.**
921 aurora ave. n.
seattle
washington
usa 98109**the shop**
1332 n 131st st.
seattle
washington
usa 98133**the plant**
no. 3 jinsha rd.
chenyang town
zhangjiagang
china 215637

info@lotusfixture.com