

**SPECIFICATIONS**

**NAME:** DAYTON FAUCET

**MODEL:** VA-2007

**DESCRIPTION:**

- Brass Construction
- Finishes Available: Chrome
- Flexible Hot/Cold Water Lines w/ 3/8" compression fittings.
- Faucet Weight: 2.4 Lbs



**FEATURES:**

- Wall Mounted
- Single Lever Operating Handle
- 90° Arc For Temperature Control
- Max. Operating Temperature: 140° F (60° C)

**FLOW RATE:**

- 1.5 gpm Max Flow Rate. Faucet Flow Rate Is Adjustable To Meet Project Flow Regulations.

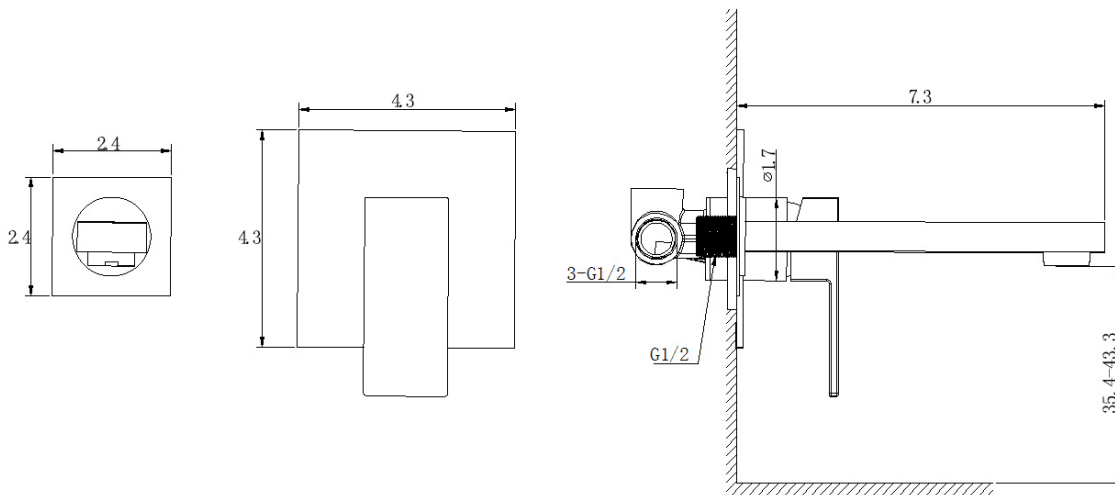
**STANDARDS:**

- CUPC Certified
- EC Certified

**WARRANTY:**

- One Year Limited Warranty, Which Starts At The Point of Delivery

**PRODUCT DIMENSIONS:**



**NOTE:** Faucet Is Designed To Be Installed Through A 1" Hole (1-1/2" Max. Diameter)